

JIMECA

the hook lift makers

Semi-trailers

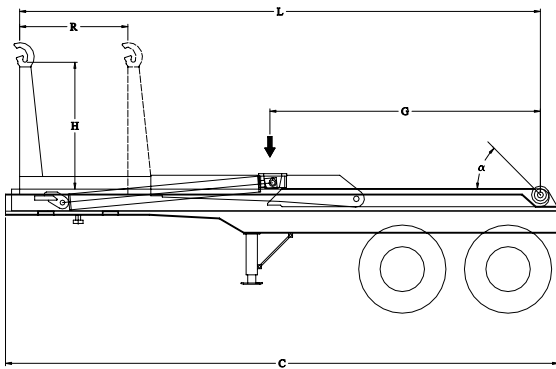
JIMECA manufactures a wide range of container transport systems of great quality and which provide the best services.

CHARACTERISTICS:

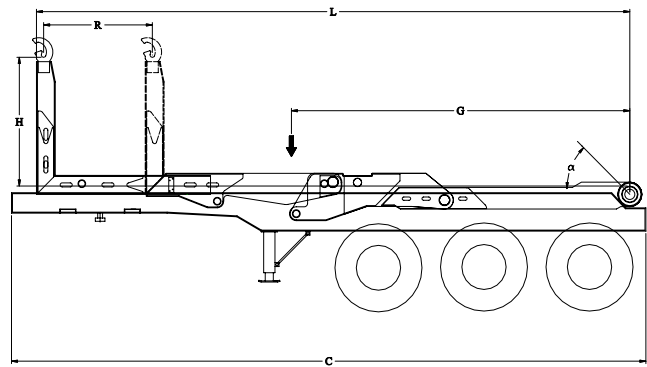
- Resistance
- Adaptability
- Easy to handle
- Reduced maintenance



2 AXLE SEMI-TRAILERS



3 AXLE SEMI-TRAILERS



TECHNICAL SPECIFICATIONS	2 AXLE SEMI-TRAILERS		3 AXLE SEMI-TRAILERS		
	JI-25.000 L	JI-30.000 C	JI-30.000 M	JI-30.000 L	
Authorised max weight of the whole set	36.000 Kg.	40.000 Kg.	40.000 Kg.	40.000 Kg.	40.000 Kg.
Hooklift's load capacity	25.000 Kg.	30.000 Kg.	30.000 Kg.	30.000 Kg.	30.000 Kg.
Set weight	7.100 Kg.	8.100 Kg.	8.300 Kg.	8.700 Kg.	8.700 Kg.
Equipment's length, L	6.450 mm.	7.350 mm.	7.650 mm.	8.000 mm.	8.000 mm.
Gravity centre, G	3.550 mm.	4.050 mm.	4.200 mm.	4.400 mm.	4.400 mm.
Tilting angle, α	49°	46°	45°	44°	44°
Hook height, H	1.550 mm.	1.550 mm.	1.550 mm.	1.550 mm.	1.550 mm.
Arm movement, R	1.350 mm.	1.350 mm.	1.500 mm.	1.600 mm.	1.600 mm.
Container's length	7.000 mm.	8.200 mm.	8.500 mm.	8.800 mm.	8.800 mm.

